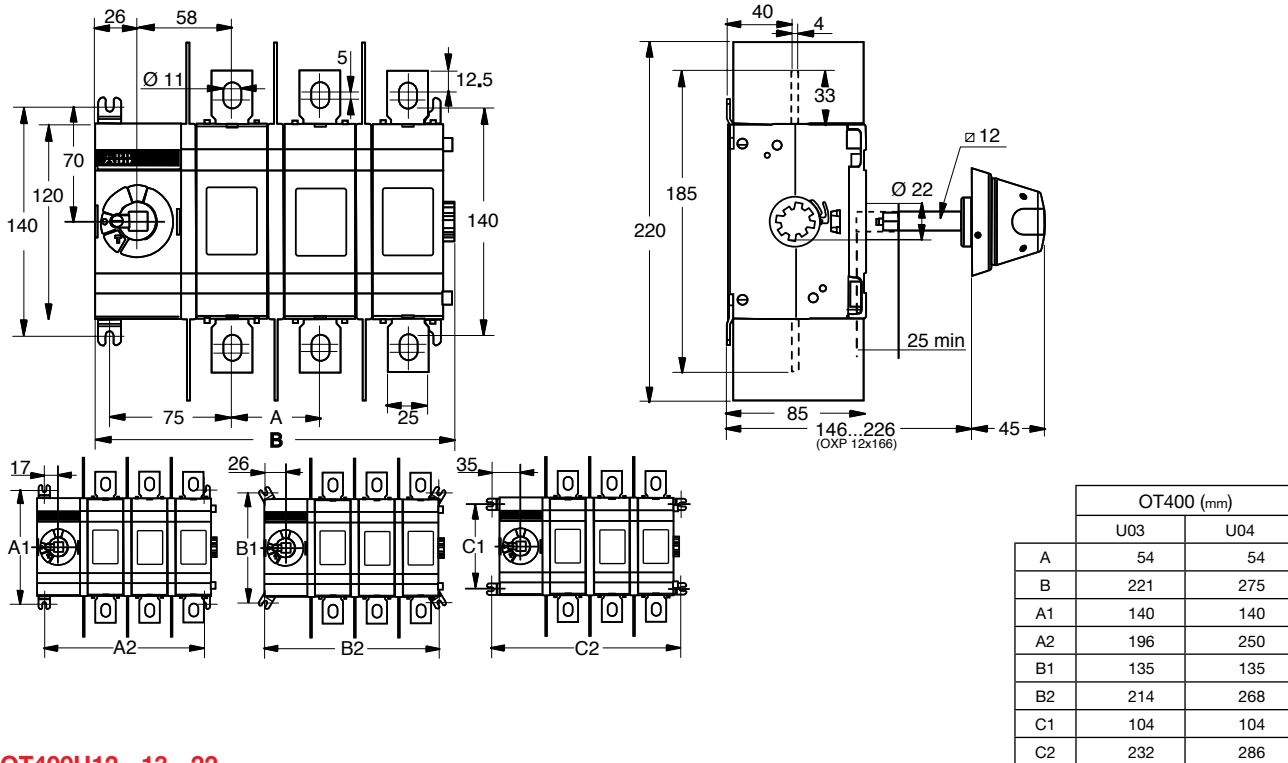


Approximate dimensions OT400_

← 00.00 → Millimeters

OT400U03, -04



OT400U12, -13, -22

